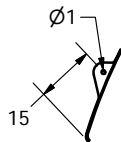
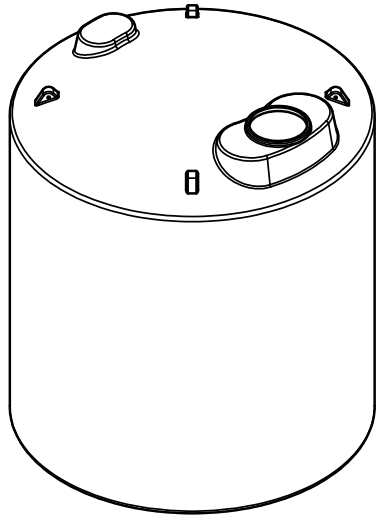
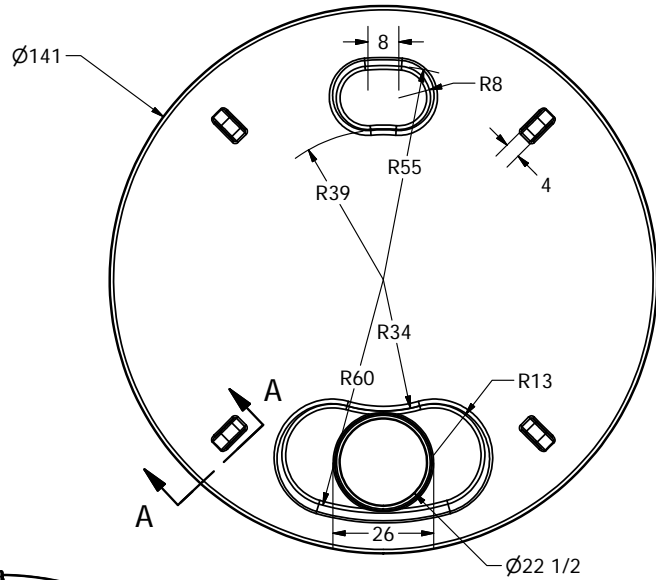
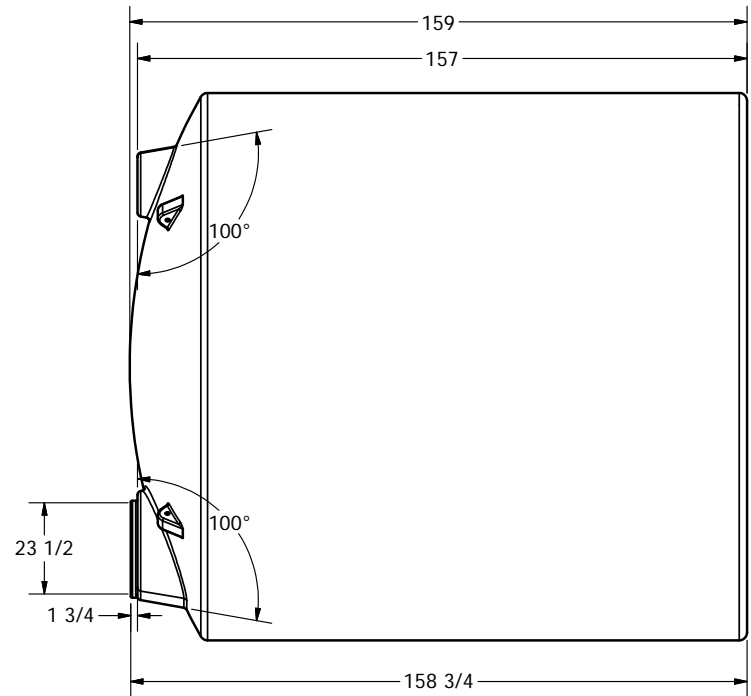



REV	DESCRIPTION	DATE	AUTHOR
A	LID REVISED TO 22"	3/5/2013	Jerry Paulson



SECTION A-A
SCALE 1/32



FOB WASHINGTON COURT HOUSE, OH

DRAWN Jerry Paulson	1/28/2010	 NORWESCO NORWESCO, INC., ST. BONIFACIUS, MN		
CHECKED				
QA		TITLE		
MFG		10,000 GALLON VERTICAL STORAGE TANK		
APPROVED				
		SIZE B	DWG NO	REV A
		SCALE: 1/16		SHEET 1 OF 1