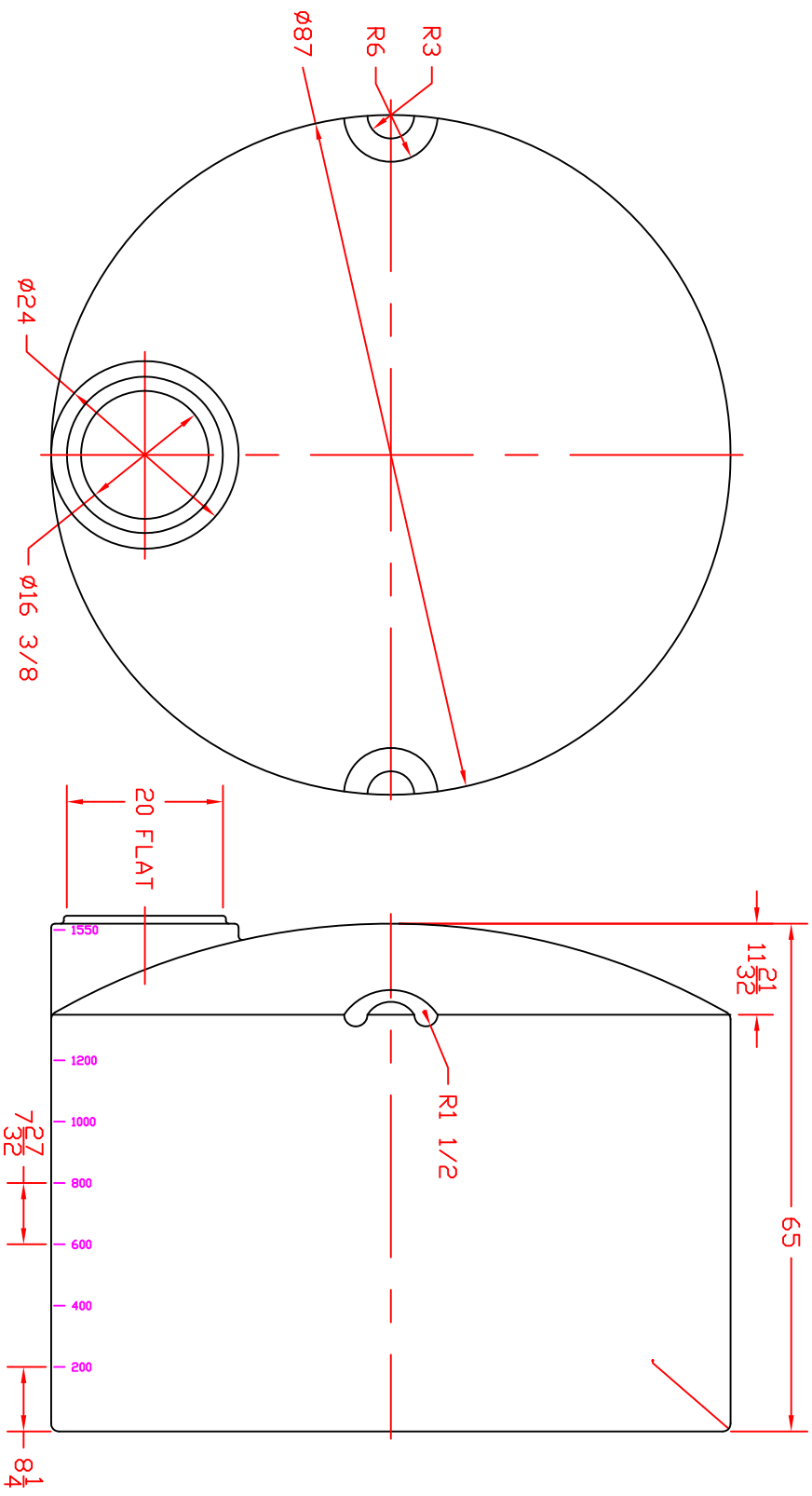


REVISIONS				
ZONE	REV	DESCRIPTION	DATE	APPROVED



		ST. BONIFACIUS, MN			
		1550 GALLON VERTICAL TANK			
JTP	10AUG00	SIZE	FSOM NO.	DWG NO.	REV
B	1/16	SCALE	1/16	SHEET	