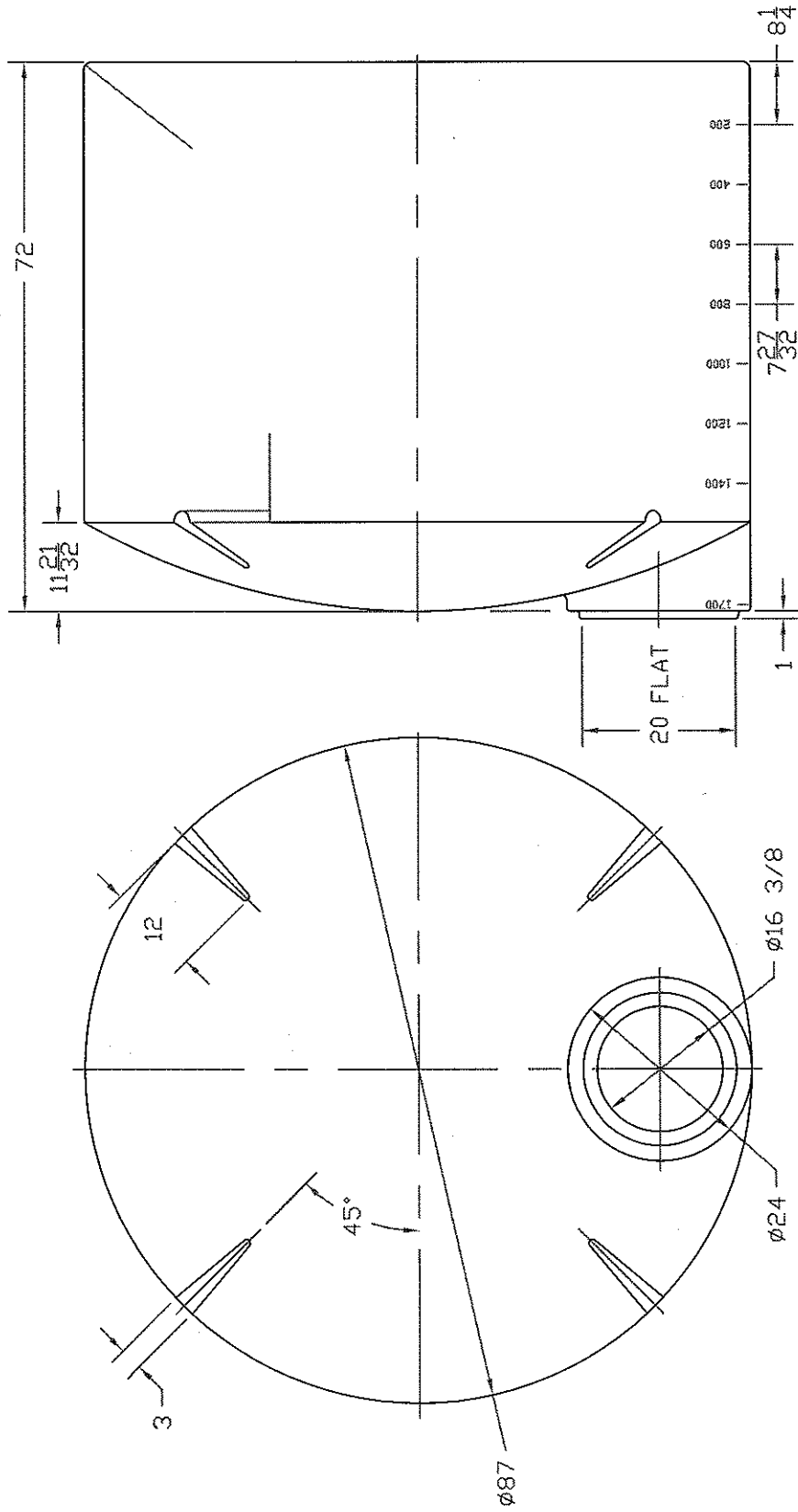


REVISIONS

ZONE	REV	DESCRIPTION	DATE	APPROVED
	C	REDRAWN	02 JAN 97	



NORWESCO

ST. BONIFACIUS, MN

1700 GALLON VERTICAL

TANK

JTP	02JAN97	SIZE	FSCM NO.	DWG NO.	REV
		B			C

SCALE	1/16	SHEET
-------	------	-------