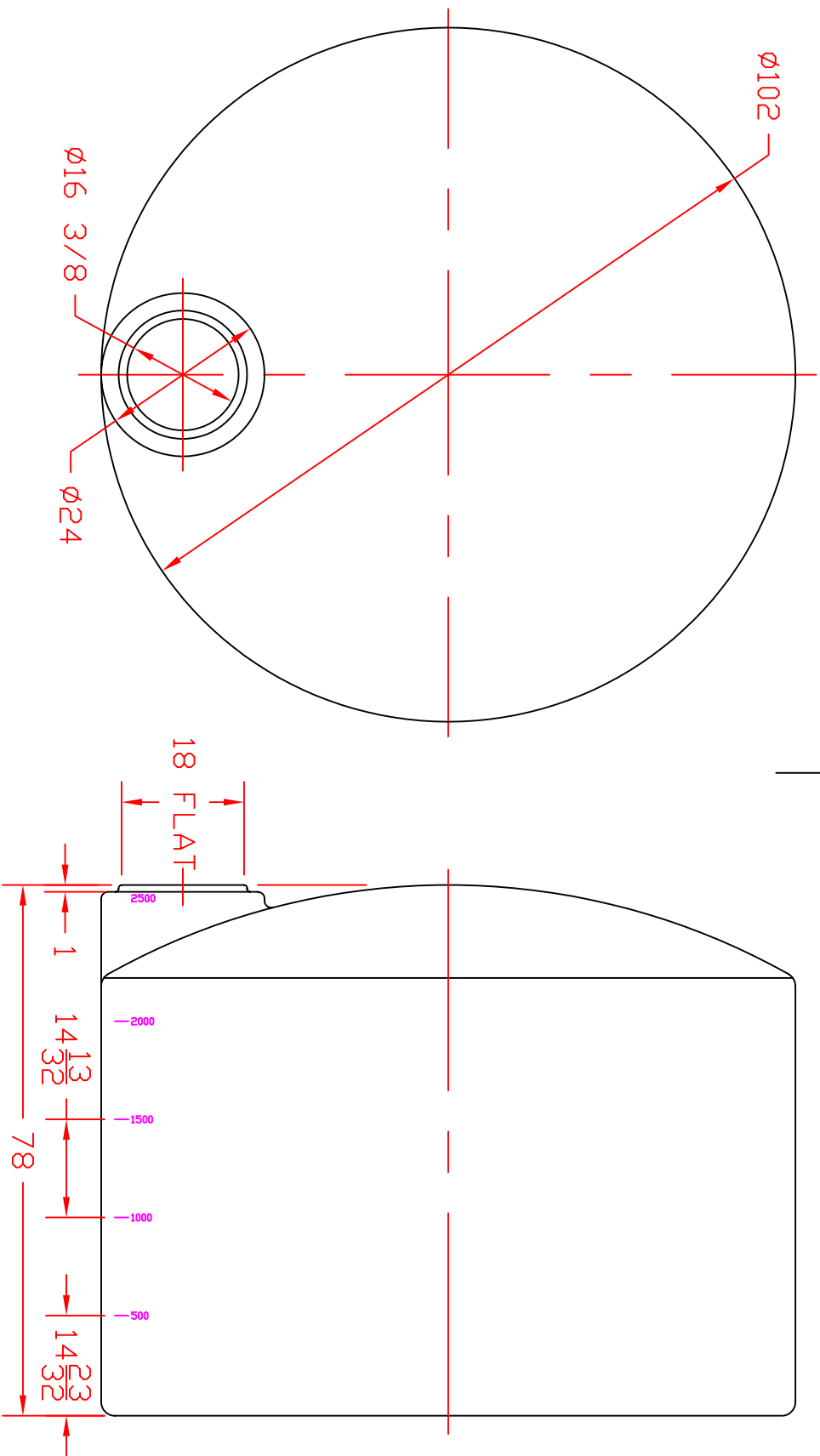



| REVISIONS | | | | |
|-----------|-----|-------------|------|----------|
| ZONE | REV | DESCRIPTION | DATE | APPROVED |
| | | | | |



| | | | | | |
|--|--|--|--|-------------|-----|
|  NORWESCO ST. BONIFACIUS, MN | | | | JTP 19FEB04 | |
| | | | | SCALE 1/24 | |
| 2500 GALLON VERTICAL TANK X 102 | | | | SIZE | REV |
| FSCM NO. | | | | DWG NO. | |