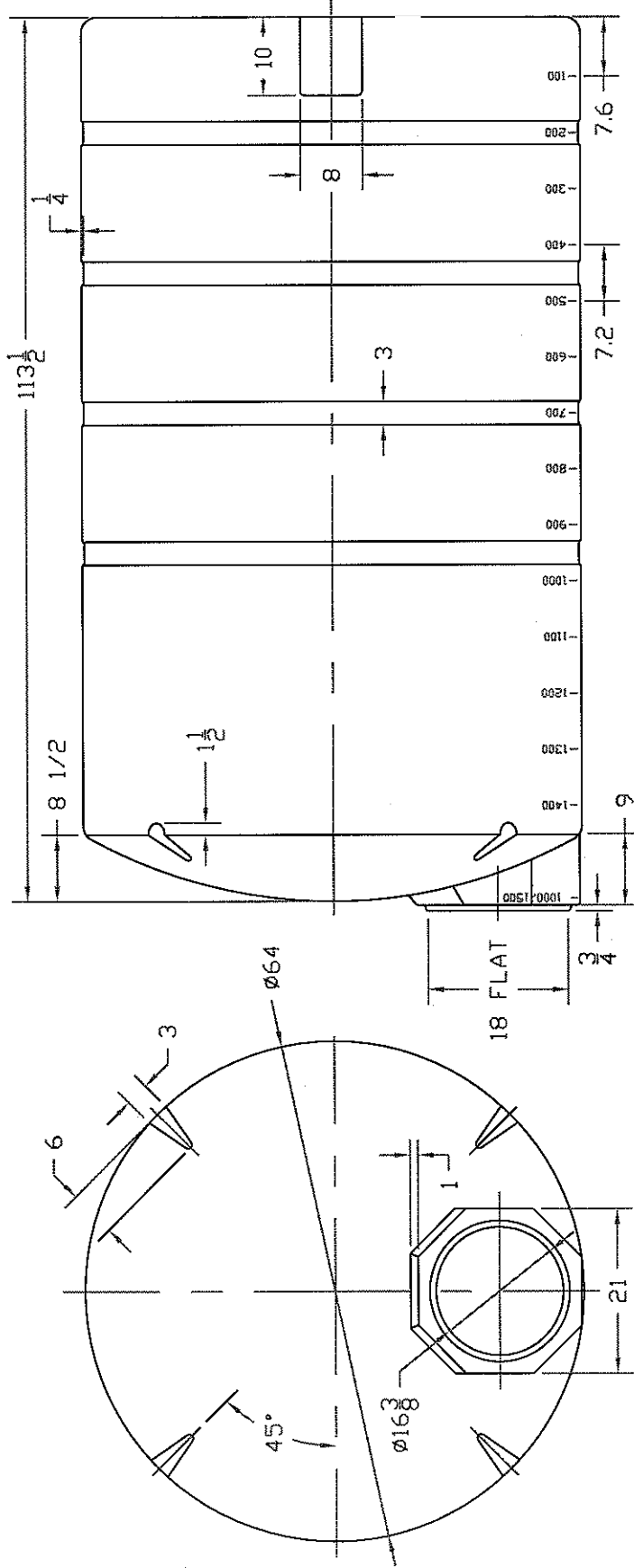


REVISIONS			
ZONE	REV	DESCRIPTION	DATE
	A	REDRAWN	19AUG97
			APPROVED



NORWESCO
 ST. BONIFACIUS, MN
 1500 GALLON VERTICAL
 STORAGE TANK

JTP	19AUG97	FSCM NO.	DWG NO.	REV	A
SCALE 1/16			SHEET		