

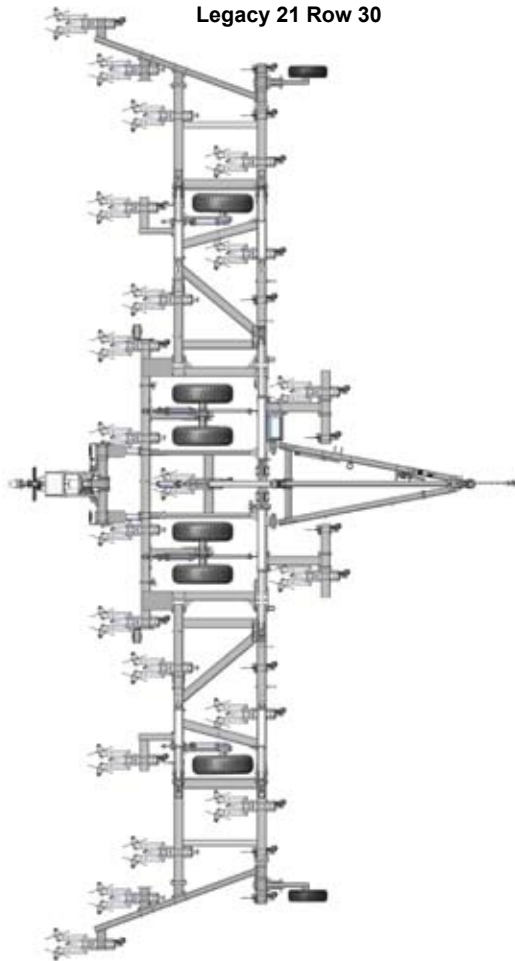
LEGACY™

Commercial Class Applicator

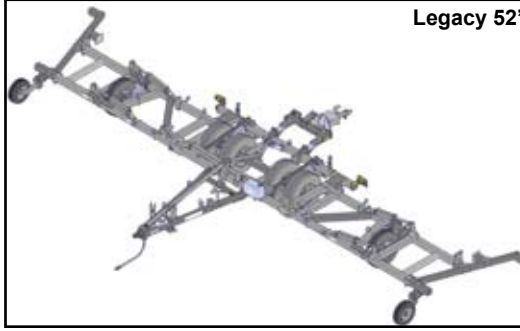
The BLU-JET LEGACY Commercial Class Fertilizer Applicator is designed for your high rate, high acre application needs in PrePlant, SideDress, or StripTill Operations. With a 6" x 6" mainframe, swath widths from 40' to 52', and the ability to place NH3, Liquid, Dry, or Dual Placement Solutions, the LEGACY is the new workhorse in BLU-JET's line of Commercial Class Fertilizer Applicators.



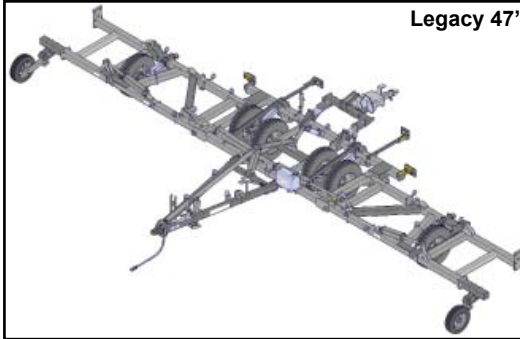
Your Partner for Conservation Farming



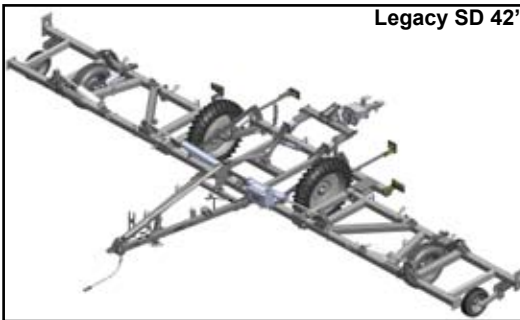
Legacy 21 Row 30



Legacy 52'



Legacy 47'



Legacy SD 42'

Specifications:

Mainframe.....	Heavy Duty 6" x 6" Constant Level Mainframe
Models.....	40' to 52'
Transport Wheels and Tires	295/75R22.5 or 385/65R22.5 Duals or 385/85R34 MPT Singles
Transport Width.....	17'4" Odd Row Spacing 17'10" Even Row Spacing
Transport Height.....	13'6"
Row Spacings.....	30"
Rank.....	54"
Coulters.....	Super 1200 Coulters with 20" Fluted Blades
Gauge Wheels.....	295/75R22.5 or 385/65R22.5 Tires
Hitches, Standard.....	Cat IV Pintle and Clevis Tractor Hitches
Emergency Water Tank/Toolbox.....	Standard
9000 lb./ Parking Jack.....	Standard
Transport Chain (60,000 lbs.).....	Standard
Lighting Kit.....	Standard
5-Year Frame Warranty	

Find Out More...Call the BLU-JET Hotline (800-658-3127) Today

Thurston Manufacturing Company • 1708 H Ave • Box 218 Thurston, Nebraska, 68062-0218
Phone: 402-385-3041 • Fax: 402-385-3043 • E-mail: box218@thurstonmfgco.com
www.thurstonmfgco.com



Truck tires provide superior field flotation and excellent road transport.



Single Auto-Lok nurse tank hitch



BLU-JET MaxPac Spring Bundles ensure accurate depth in heavy soil types with rocks

Distributed By: